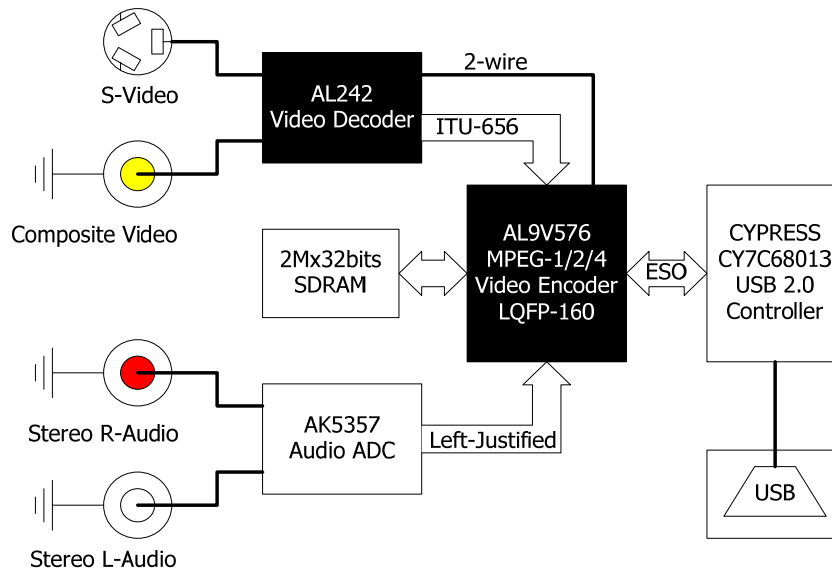


## AL9V576 Sales Kit

### USB 2.0 AUDIO/VIDEO CAPTURE DEVICE

Based on the AL9V576 real time streaming encoder, the USB 2.0 Audio/Video capture card reference design that allows users to capture and record up to D1 quality video. The capture card provides a wide variety of choices for video input format, resolution, frame rate, and video compression format. This USB 2.0 based reference design targets the next-generation external PC video capture device. The reference design has applications for real-time video previewing, time shift playing and video capturing applications.



## AL9V576 Sales Kit

### USB 2.0 AUDIO/VIDEO CAPTURE DEVICE

### Features

- High quality and real-time hardware MPEG-4/2/1 encoding
- S-Video and composite video inputs
- High speed USB 2.0 interface and powered by USB port, external power adapter no needed
- Stereo Right and Left audio input
- Record analog video using a built-in hardware MPEG-1/2/4 encoder chip
- Time-Shifting functions for pause, rewind, and fast forward
- Support record and playback functions

### Specifications

#### Video Encoder Formats

- MPEG-4 Advanced Simple Profile and B-frame supported
- MPEG-2 MP@ML
- MPEG-1
- Variable or constant bit rate (VBR/CBR) up to 20Mbps
- Programmable GOP structure: I, IP, IBP, IBBP

#### Audio Encoder Formats

- MPEG-1 layer II encoding with psychoacoustic model
- Audio sampling rate at 44.1K
- Variable bit rate up to 384Kbps

#### Video Input

- Video input by S-Video and composite connectors
- NTSC and PAL video input for resolution from QCIF (176x144) up to D1 (720x480/576)
- Real-time frame rate support 30fps@NTSL and 25fps@PAL in D1 resolution

#### Audio Input

- RCA connectors for stereo audio inputs (Right and Left channels)

#### Mechanical

- Module size: 90 x 80 mm<sup>2</sup>
- S-Video and RCA composite video input connectors for external analog video source
- Right and Left RCA connector for analog stereo input

### Ordering Information

Part Number	AL9V576B-EVB-A0
Description	AL9V576 EVB Kit Package Contents <ul style="list-style-type: none"> <li>➤ <b>Hardware</b> <ul style="list-style-type: none"> <li>■ USB 2.0 Audio/Video Capture Device</li> <li>■ USB Cable</li> </ul> </li> <li>➤ <b>Document</b> <ul style="list-style-type: none"> <li>■ EVB User's Manual</li> </ul> </li> </ul>

Part Number	AL9V576B-SDK-A0
Description	AL9V576 SDK Kit Package Contents <ul style="list-style-type: none"> <li>➤ <b>Hardware</b> <ul style="list-style-type: none"> <li>■ USB 2.0 Audio/Video Capture Device</li> <li>■ USB Cable</li> <li>■ AL9V576 EVB H/W Reference Design (includes schematics, Gerber &amp; layout files)</li> </ul> </li> <li>➤ <b>Software</b> <ul style="list-style-type: none"> <li>■ AL9V576 EVB S/W Reference Design (includes Firmware and Windows Drivers)</li> <li>■ AverLogic Player Application Program</li> </ul> </li> <li>➤ <b>Document</b> <ul style="list-style-type: none"> <li>■ EVB User's Manual</li> <li>■ AL9V576 Datasheets</li> <li>■ AL242 Datasheets</li> <li>■ AL9V576 EVB H/W Application Notes</li> <li>■ AL9V576 EVB S/W Application Notes</li> </ul> </li> </ul>